



NLS-FM431

FIXED MOUNT BARCODE SCANNER

FEATURES

○ **UIMG® Technology**

Armed with Newland's seven-generation of **UIMG®** technology, the scan engine can swiftly and effortlessly decode even poor quality barcodes (e.g., low contrast, laminated, damaged, torn, warped or wrinkled).

○ **Automatic Exposure Control (AEC)**

The sensor in the NLS-FM431 automatically adjusts the supplementary lighting duration based on the light reflected off barcode.

○ **Improved Motion Tolerance**

NLS-FM431 can capture and decode the barcode in motion up to 3.5m/s.

○ **Dual Aimer Systems**

The FM431 contains a red laser aimer that produces a crosshair aiming pattern. It is clear and bright even in bright sunlight, ensuring first time accurate aim. Besides, the scanner provides a green LED aimer.



Green LED



CMOS



1D Barcode



2D Barcode



USB



RS232



OCR



Laser Aimer



IR

NLS-FM431

Performance

| | | |
|-------------------------------------|------------------|--|
| Image Sensor | | 1280 * 800 CMOS |
| Illumination | | 3000K white LED |
| Aiming | | 518nm green LED 650nm red laser aimer |
| Symbologies | 2D | PDF417, QR Code, Data Matrix, Aztec, Chinese Sensible Code, Maxicode, Micro QR, Micro PDF417, GM Code, Code One |
| | ID | Code 128, EAN-8, EAN-13, UPC-E, UPC-A, Coupon, Interleaved 2/5, ITF-14, ITF-6, Matrix 2/5, Code 39, Codabar, Code 93, China Post 2/5, UCC/EAN-128, GSI Databar, GSI Composite, Code 11, ISBN, ISSN, Industrial 2/5, Standard 2/5, Plessey, MSI-Plessey, AIM 128, ISBT 128, Code 49, Code 16K |
| | Postal | USPS Postnet, USPS Intelligent Mail, Royal Mail, USPS Planet, KIX Post, Australian Postal, Japan Post |
| | OCR | Passport OCR, Chinese ID Card, China Travel Permit OCR |
| Resolution | ID | ≥3mil |
| Motion Tolerance | | 3.5m/s |
| Typical Depth of Field ¹ | SR Version | |
| | PDF417 | 55-190mm (6.7mil) |
| | EAN-13 | 55-460mm (13mil) |
| | Code 39 | 65-230mm (5mil) |
| | QR Code | 40-310mm (15mil) |
| | Data Matrix | 50-230mm (10mil) |
| | HD Version | |
| | PDF417 | 38-130mm (6.7mil) |
| | Code 39 | 48-70mm (3.3mil) |
| | Code 39 | 38-140mm (5mil) |
| Data Matrix | 53-70mm (5mil) | |
| Data Matrix | 35-145mm (10mil) | |
| Min. Symbol Contrast | | 25% |
| Scan Angle ² | | Roll: 360°, Pitch: ±55°, Skew: ±55° |
| Field of View | | Horizontal 51°, Vertical 32° |

Physical

| | | |
|-------------------|-----------|---|
| Interface | | RS-232, USB |
| Operating Voltage | | 5VDC±5% |
| Current@5VDC | Operating | 258.5mA (typical), 400mA (max.) |
| | Idle | 93.72mA |
| Dimensions | | 41.5(W)×49.5(D)×24.7(H)mm (max) (without cable) |
| Weight | | 56g |
| Notification | | Beeper, LED indicator |

Environmental

| | |
|-----------------------|--|
| Operating Temperature | -20°C to 60°C (-4°F to 140°F) |
| Storage Temperature | -40°C to 70°C (-40°F to 158°F) |
| ESD | ±14 kV (air discharge), ±8 kV (direct discharge) |
| Drop | 1.5m |
| Sealing | IP54 |
| Humidity | 5% to 95% (non-condensing) |
| Ambient Light | 0-100,000lux (natural light) |

Certificates

| | |
|--------------|---|
| Certificates | FCC Part 15 Class B, CE EMC Class B, RoHS 2.0, IEC62471, IEC60825 |
|--------------|---|

¹ Depth of Field: T=23°C; Illumination=300lux using incandescent lamp; sample barcodes made by Newland.

² Scan Angle: Scan Distance=(min. DOF + max. DOF)/2; 2D: QR Code; PCS=I; sample barcodes made by Newland.

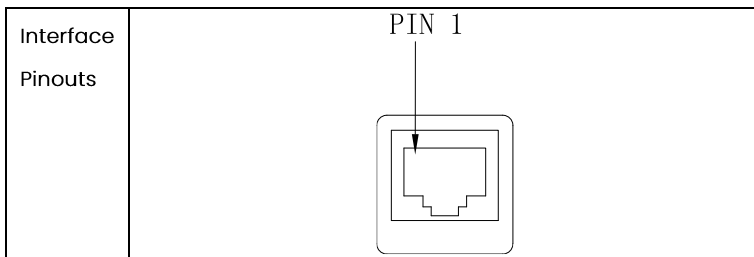
³ Operating Current: Scan Distance=(min. DOF + max. DOF)/2; test in the normal mode.

Specifications are subject to change without notice.

NLS-FM431

The following table lists the pin functions of the RJ50 port.

| PIN# | Signal | I/O | Function |
|------|-----------|----------|------------------------------|
| 1 | NC | NC | NC |
| 2 | IO | reserved | Used as trigger signal |
| 3 | VCC | P | 5V power supply |
| 4 | RS232_TX | O | RS-232 input |
| 5 | RS232_RX | I | RS-232 output |
| 6 | RS232_CTS | I | RS level 232 clear to send |
| 7 | RS232_RTS | O | RS level 232 request to send |
| 8 | GND | P | Ground |
| 9 | USB_D- | A | USB_D- signal |
| 10 | USB_D+ | A | USB_D+ signal |

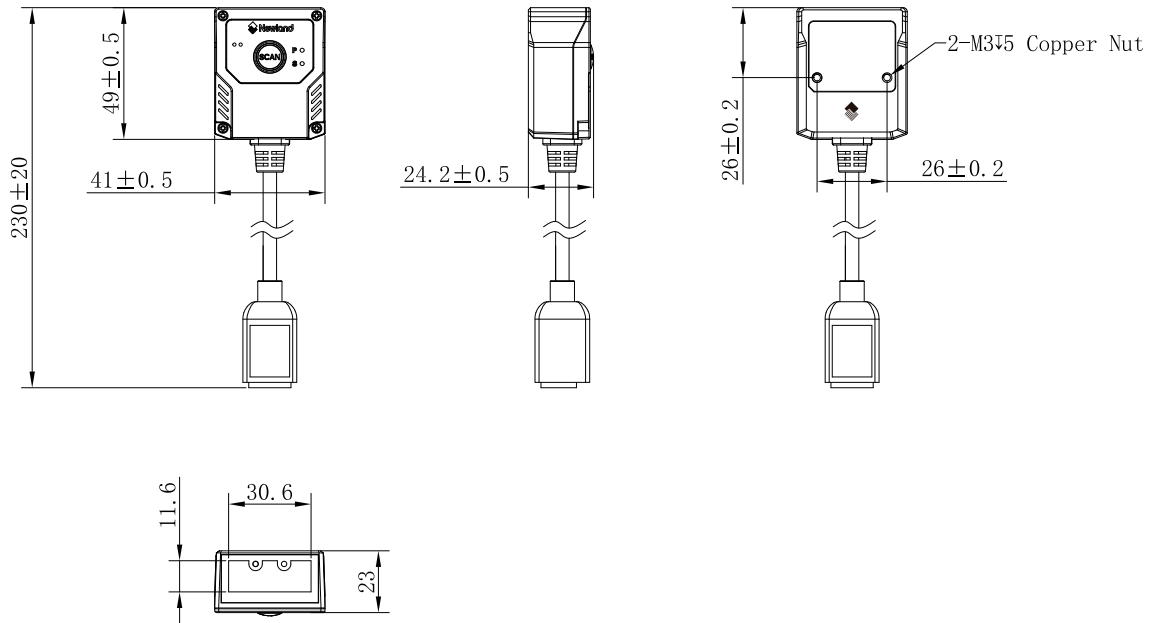


Specifications are subject to change without notice.

Version: V1.1

NLS-FM431

Mechanical
Mounting
Dimensions
(unit: mm)



Dimensions: 41.5(W)×49.5(D)×24.7(H)mm (max.) (without cable)

Specifications are subject to change without notice.

Version: V1.1

Newland AIDC

Add: No.1 Rujiang West Rd.,
Mawei, Fuzhou, Fujian 350001, China
Tel: +86-591-83979500
Fax: +86-591-83979216
Email: info@newlandaidc.com
Web: www.newlandaidc.com

Asia Pacific

Add: 6 Raffles Quay #14-06
Singapore 048582
Email: info@newlandaidc.com

Europe & Middle East

Add: Rolweg 25, 4104 AV Culemborg,
The Netherlands
Tel: +31 (0) 345 87 00 33
Email: sales@newland-id.com
Tech Support: tech-support@newland-id.com

North America & Latin America

Add: 46559 Fremont Blvd.,
Fremont, CA 94538, USA
Tel: +1 510 490 3888
Fax: +1 510 490 3887
Email: info@newlandaidc.com