

PT52

15" PCAP Touchscreen



Features

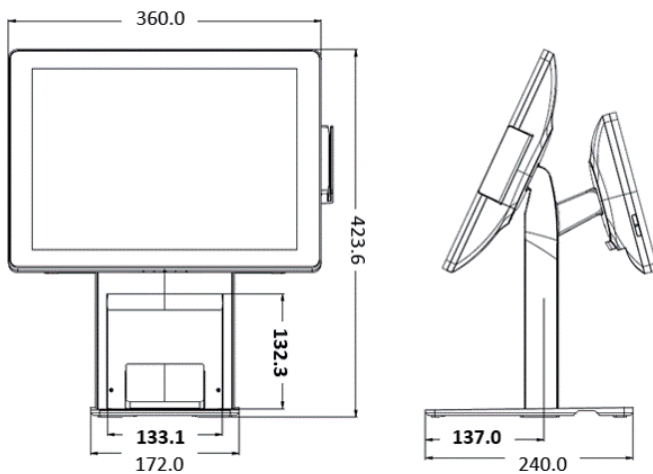
- / Support Intel 7th. Gen. CPU (KabyLake-U) and Celeron J6412 Processors
- / 15" PCAP Touchscreen
- / IP54 Water and Dust Resistant Front Panel
- / 3 Track MSR, Customer display and 2nd display monitor Available
- / Aluminum base with space reserved for a 3" Thermal printer

Specification

PT52			
System	Motherboard	MB-66	PE24
	Processor	Intel KabyLake-U Core i3-7020U/7100U	Intel® Celeron® Processor J6412
	Graphic	CPU Intergrated	
	System Memory	1 x 4GB DDR4 SO-DIMM memory (Max. support up to 16GB)	
LCD Touch Panel	Storage Device	1 x 128 GB SSD (M.2)	
	LCD Size	15" 4:3 TFT LCD	
	Brightness	300 nits	
	Resolution	1024 x 768	
External I/O Ports	Touch Screen	True-Flat PCAP Multi-touch	
	USB	4 x USB 3.0, 4 x USB 2.0	3 x USB 2.0, 3 x USB 3.1
	COM Port	- COM1/2 (DB-9 RS232 supports DC 0V/+5V/+12V, selectable by BIOS, default setting is DC 0V) - COM3 is DB-9, standard COM port	3x COM (COM1/2: RJ48 support DC+0/5/12v by BIOS setting, default setting is 0v. COM3: DB-9)
	LAN	1 x Gigabit Ethernet by RJ-45	
	Cash Drawer	1 x RJ-11 (Support DC +12V) port supports 2 cash drawers	1 x RJ-11 (Support DC +12V or +24V (default)) port supports 2 cash drawers
	VGA	1x DB-15 (support DC 0V/+12V, selectable by BIOS, default setting is DC 0V)	1 x DB-15 VGA port Power enable by BIOS setting (default disable)
	DC Jack	1x DC+12V jack with locked Screw	1 x miniDIN 4P (DC+19V only)
	Type-C	N/A	1 x Type C (PD + DP)
	Power Button	1	1
	Audio	Internal Speaker	1 x 2w (Option)
Indicator	LED Indicator	1 for Power LED	
Peripheral (Option)	Power Adapter	60W/DC+12v input	DC+19V, 65watt adaptor
	MSR	3-Track MSR, USB Type	
	iButton	USB Type	
	Customer Display	LCM display 2 x 20 characters, USB Type	
Certificate	2nd Display	11.6" / 220 nits / 1366 x 768, VGA Type	
	RFID	USB Type	
	Fingerprint	USB Type	
	EMC & Safety	CE, FCC, LVD, BSMI, RoHS	
Environment	Operating Temperature	0°C ~ 35°C (32°F ~ 95°F)	
	Storage Temperature	-20°C ~ 60°C (-4°F ~ 140°F)	
	Humidity	20% ~ 80% RH non-condensing	
Dimensions (WxDxH)	133 x 132 x 137 mm		
Weight	5.72Kg		
OS Supported	Windows 10	Windows10 (64bit)	



*Printer is not included in the package.



Contact

5F, No.59, Ln. 77, Xing-Ai Rd., Neihu Dist., Taipei City 114, Taiwan. R.O.C

+886 2 7721 4688 #275

+886 2 7721 2289

sales@poindus.com

Poindus
COMPAL GROUP