



KR160 Kiosk Passport Reader



Kiosk
Self Service Machine



Airport
Border Control



Security
Access Control



Hotel
Property Management

Introduction

Kiosk Passport Reader is a newly designed, multi-functional document reader with a removable cover. It is based on OCR technology and compliant with ICAO 9303 standard. It is able to extract data from Passport, Visa, ID card, Driver License and other travel documents. It provides perfect solutions for kiosk and desktop ID authentication.

Features



Read ICAO compliant & Non-ICAO documents



Obtain digital data from contactless chips (Option)



Capture images in white, IR Illuminations



Suitable for self-service kiosk integration



Combine with high accuracy OCR SDK



Provide customization OCR service

Specification

Supported Documents

| | |
|------------------------|--|
| Machine Readable Zone | ICAO 9303 standard compliant documents: |
| | ID-1 (Identity Card) |
| | ID-2 (Passport, Visa) |
| Visual Inspection Zone | ID-3 (Passport) |
| Visual Inspection Zone | Customization based on clients' requirements |

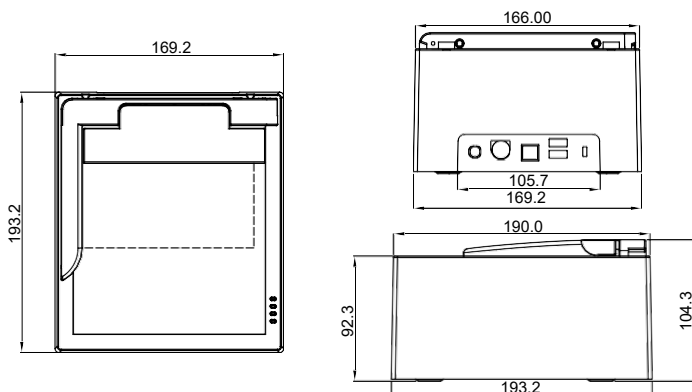
| | |
|---------|---|
| Barcode | 1D: Code 128, Code 39, Interleaved 2 of 5 |
| | 2D: PDF 417, QR Code, Data Matrix, Aztec Code |

Image

| | |
|---------------|----------------------------------|
| Resolution | 500 DPI |
| Illumination | Visible, IR (850nm) |
| Color Depth | 24 bits/pixels |
| Sensor | CMOS, 500 Megapixels (2592*1944) |
| Image Format | JPG, BMP, PNG |
| Field of View | 127mm*88mm |

Software

| | |
|----------------------------|--|
| Supported Operation System | Windows 7,8,10,Vista,XP (32/64 bit WHQL certified) |
| | Windows Server 2003 & 2008 (32/64 bit) |
| | Linux Ubuntu, CentOS, RedHat |
| Development kit | Android |
| Development kit | Complete OCR SDK including DLLs, OCXs, WebSocket, Samples and Demo program |
| Programming Languages | C#, C/C++, Java, Delphi, Visual Basic 6.0, VB.NET |



Hardware

| | |
|-----------------------|-----------------------------------|
| Dimension (W*D*H) | 169*193*104.30mm (without Cover) |
| | 169*193*143.80mm (with Cover) |
| Interface | USB 2.0 |
| Status LEDs | Power, Ready, Error and Warning |
| Buzzer | Build-in buzzer |
| Power | Input: AC 100~240V, 50-60Hz, 0.8A |
| | Output: DC 12V, 2A |
| Operating humidity | 20%-95%(non-condensing) |
| Operating temperature | -10°C to 50°C operating |
| | -20°C to 50°C storage |
| Warranty | 1 year warranty, extensible |