

55" Super Bezel Lcd Video Wall

PCS-550WL

Right Message At Right Time



LCD Video wall solutions provide for all-in-one, easy-to-configure solution that is ideal for dynamic digital signage, information display and command & control applications.

Our Video wall panels make your digital signage easy to implement, configure and operate. Video wall displays support an extensive array of connectivity options, including VGA, DVI, HDMI, Composite, and supports RC-232 Serial connectivity for multiple display control. The ultra-thin bezel (4mm) make these displays appear nearly seamless for video walls consisting of up to 250 displays. Our video wall software allows you to change, reposition and resize content in real time from a single PC or Media Player box. No matter where your display these screens you can be assured people will be captivated by your message.

Key Features:

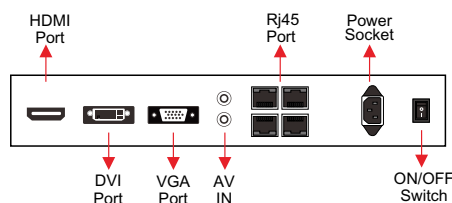
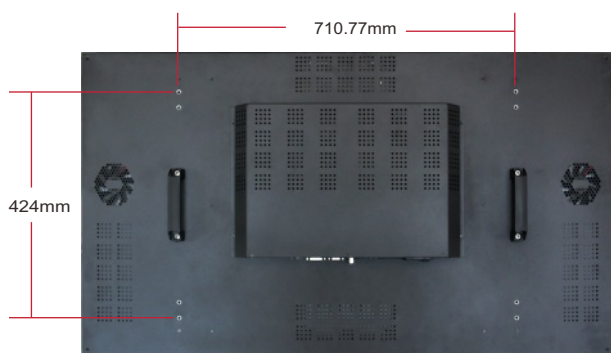
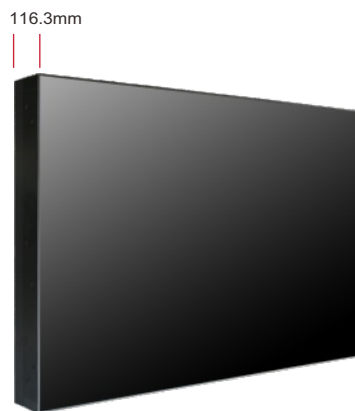
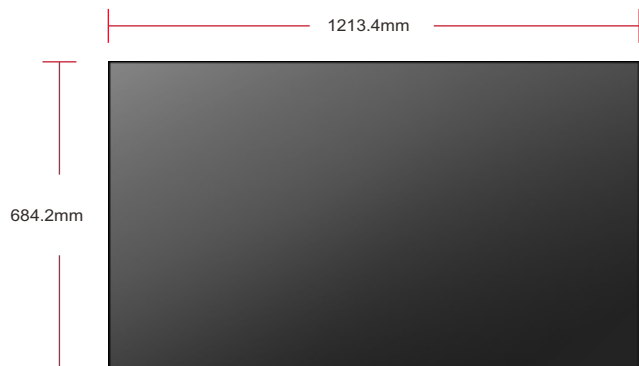
- 1920x1080 HD Resolution
- System: PAL/NTSC/SECAM
- Video: 480P/576P/720P/1080P
- HDMI/VGA/DVI Input
- AV Input/output
- RJ45 Input/output/RS232

Application Areas

- Hospitals
- Retail Stores
- Shopping Malls
- Supermarkets
- Museums and Galleries
- Airports

55" Super Bezel Lcd Video Wall

PCS-550WL



Specifications

DISPLAY	Panel Model	55" TFT-LCD
	Aspect Ratio	16:9
	Max Resolution	1920x1080
	Display Color	16.7M
	Chroma	97%
	Brightness	500cd/m ²
	Brightness Type	LED
	Two Side Seam	3.5mm
	Contrast	3000:1
	Visual Angle	178°/178°
Response Time	8ms	
Life(hrs)	>50,000(hrs)	
INTERFACE	HDMI	1 input
	VGA	1 input
	DVI	1 input
	CVBS	1 input 1 input & 1 output
	Rs232	1 input & 2 output
	ON/OFF	Switch x1
APPEARANCE	Color	Matte Black
	Wall Mount	VESA (686X410MM)
	Panel Material	Metal case SPCC
	Installation	Wall-mounted

ON-SCREEN DISPLAY LANGUAGES		English, French, German, Italian, Polish, Russian, Simplified Chinese, Spanish, Turkish, Arabic, Japanese, Traditional Chinese etc.
VIDEO	Color System	PAL/NTSC/SECAM
POWER	Mains Power Consumption	AC 100-240V, 50-60 Hz 300 W
DIMENSION & WEIGHT	Machine Size	1213.4x116.3x684.2mm
	Machine Weight	
	Carton Size	
	Carton Weight	
	Wooden Case Size	
	Wooden Case Weight	
OTHER	Regulatory Approvals	CE, FCC, ROHS, HDMI certificates
	Warranty	2 years warranty
ACCESSORIES	Remote Control	Optional
	Power Supply	x1 AC cable
	User's Manual	x1