

# POS 130 Series

15" / 17" POS Monitor

**P130** Series features its flexibility and user-friendly design. It has versatile Touch Screen, adjustable from 4° to 90°. Moreover, it can be extended to a more complete POS solution by simply adding optional POS peripherals.

- Variety of Optional Packages
  - Touch Screen of 15" or 17"
  - Magnetic card reader
  - Flush mount VFD screen
  - Finger print scanner
- Slim and Lightweight
- Exchangeable with VESA Wall Mount



## Features



**1. Tilt angle 4°~90° degree**  
Adapt to operation in any environment



**4. Hidden cable management**



**2. MSR / Finger print**



**5. Easy-operate OSD buttons**

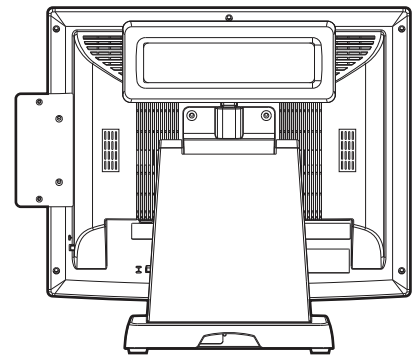
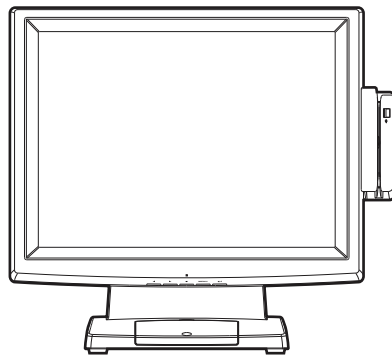


**3. VFD customer display unit**



**6. Internal power adapter design**

## POS 130 Series



### Specification

Model Name	POS 135	POS 137
<b>Motherboard</b>	<b>B16</b>	
<b>LCD Touch Panel</b>		
LCD Size	15" TFT LCD	17" TFT LCD
Brightness	250 cd/m <sup>2</sup>	250~380 cd/m <sup>2</sup>
Resolution	1024x768	1280x1024
Touch Screen	Resistive	
Tilt Adjustment	4° ~ 90°	
<b>External I/O Ports</b>		
VGA	1	
DC Jack	1	
OSD Button	5 x (left, right, power, menu, select)	
USB Port	1 x USB 2.0 (Type A), 1 x USB 2.0 (Type B to PC)	
Serial Port	2 x COM (1 x DB-9/F type to PC, 1 x RJ-45 type to VFD)	
<b>Power</b>	Adapter (DC 36W, 12V, 3A)	
<b>Control / Indicator</b>		
Power Button	1	
Indicator LED	1	
<b>Peripheral</b>		
MSR / Finger print	MSR (USB) / Finger print scanner (USB) (Either one module is accepted)	
Customer display	2 x 20 VFD customer display (COM)	
<b>Certificate</b>		
EMC & Safety	FCC Class A / CE Mark / LVD	
<b>Environment</b>		
Operating Temperature	0°C ~ 40°C ( 32°F ~ 104°F )	
Storage Temperature	-20°C ~ 55°C (-4°F ~ 131°F)	
Operating Humidity	5% ~ 95% RH non-condensing	
Storage Humidity	5% ~ 95% RH non-condensing	
<b>Dimension (W x D x H)</b>	LCD 90° tilt angle: 365.2 x 217.8 x 338.9 mm	LCD 90° tilt angle: 399.2 x 217.8 x 381.5 mm
<b>Weight</b>	4.8kg (10.6lbs)	6kg (13.2lbs)
<b>Mounting</b>	100mm x 100mm VESA Standard holes	

Product specifications are subject to change without prior notice.