

MAKEN

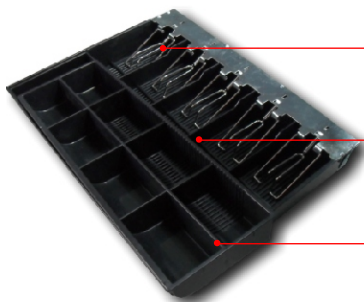
Heavy Duty Large Cash Drawer

Make It Happen

INNOVATION QUALITY SERVICE

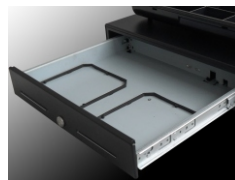
SK-460/SK-480

Made of heavy gauge steel, suitable for heavy duty use and prolonged operational life, the ideal choice for reliability and perfect platform for any EPoS terminal. Adjustable and removable 4/5-note and 8-coin Cash tray with metal wire grippers, making it worldwide compatible.



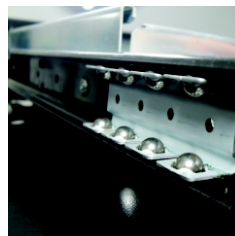
Durable Metal Wire Gripper
Bill Holder Tested over one
million operations
Easy and comfortable
operation. Human
Engineering Design

Removable and adjustable
cash tray



Second Floor Space for
storing big notes and medias

Easy access
interface location



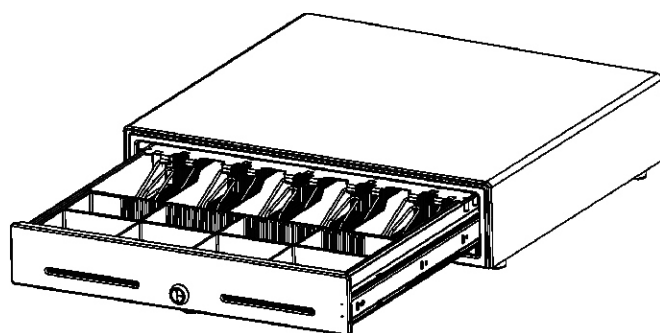
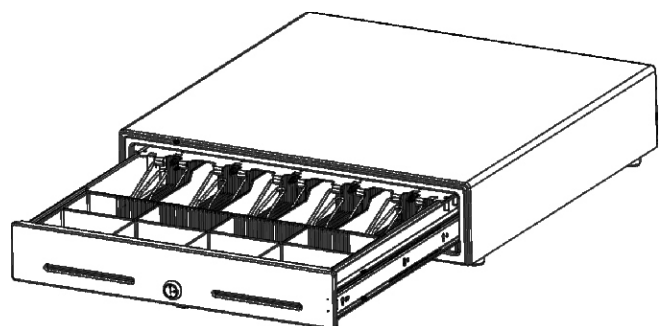
Industrial grade steel
ball-bearing slides

SK-460/SK-480 Series Specifications

MODEL NUMBER	SK-460	SK-480
PHYSICAL		
Dimension	460(W)x460(D)x100(H)mm	480(W)x414(D)x100(H)mm
Construction	Thick gauge cold rolled steel & SECC	
Finish	Textured hybrid powder coat	
Color	Black, Beige and Custom type	
Slide	Ball bearing slide for smooth & stable operation	
CASH TRAY (INSERT)		
Construction	Shatter-resistant plastic	
Currency Layout	4/5-Bill with Metal Metal wire grips, 8 Adjustable Coin Slots	
Media Slots	2	
OPERATION		
Drawer Lock	3-Position lock / 4-Functions: locked open/closed, manual open, electronically driven	
Interface	RJ11, RJ12, USB, RS232, DC Φ 2.5 / 3.5 Jack, custom type	
Lifecycle	MTBF 1,000,000 times +	
Micro Switch	Cash Drawer Status Micro Switch	

OPTION	ACCESSORIES	
	Part Number	Description
Micro-switch		
Stainless Steel Front	Tray-4658/4648	Cash Tray
Cash tray with different currency layout	Bracket-41268	Under Mounting brackets
Different color	DT-100U	USB Trigger
Different interfaces	DT-100RS	Serial Interface Trigger

Packing Details			
Models	Net Weight(kg)	Gross Weight(kg)	Carton Size(cm)
SK-460	10.10	11.10	52.5 × 51.1 × 17.0
SK-480	10.00	11.00	48.0 × 53.5 × 17.0



Xiamen Maken Tech Co., Ltd.

No.77,Huli Industrial Zone,Xike,
Tong'an District,Xiamen 361100
Fujian China

Tel: +86-592-5768733
Fax: +86-592-5768735
www.maken.com.cn
E-mail: export@maken.com.cn

Specifications are subjected to change without notice.

